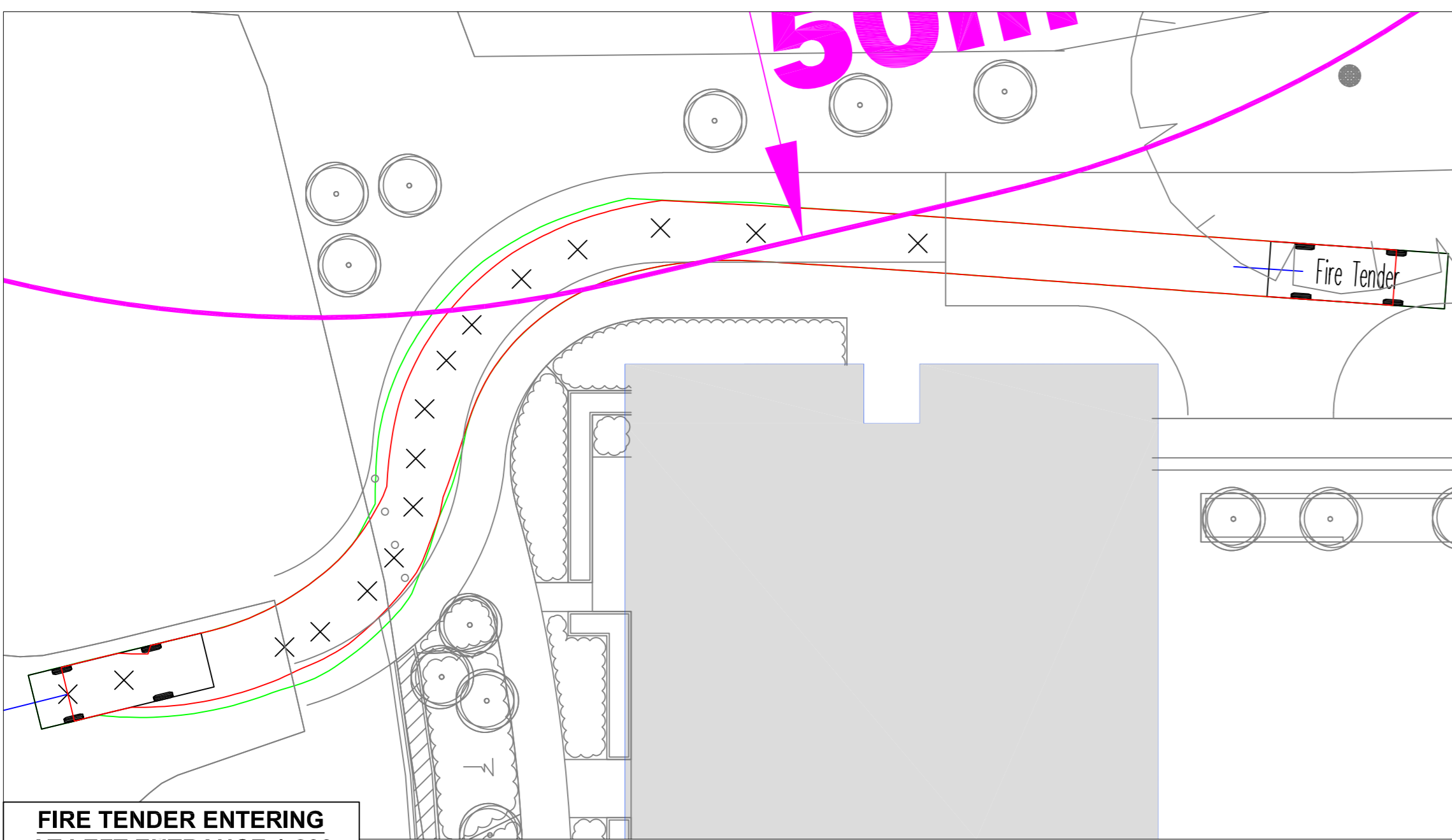


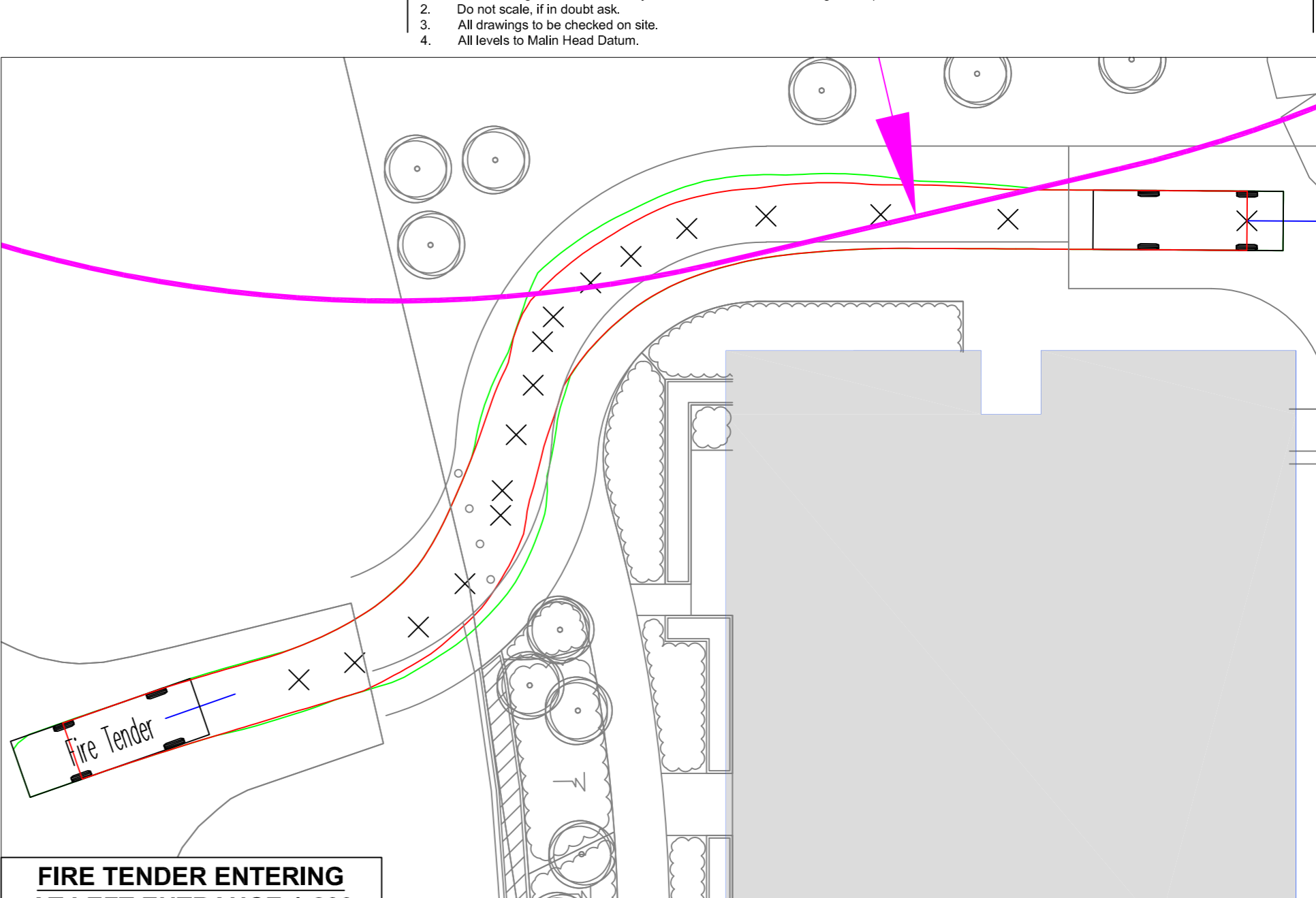
Copyright of this drawing is reserved by JODA Engineering Consultants. This drawing is issued on condition that it is not copied or disclosed by, or to, any person or persons without prior consent in writing from JODA Engineering Consultants. The user of this drawing shall cross-check dimensions shown on this drawing with relevant dimensions shown on other drawings issued by JODA Engineering Consultants and by other design consultants relevant to the project prior to any fabrication or construction on site. All errors, omissions and discovered inconsistencies to be reported to the JODA Engineering Consultants immediately. Drawings show design intent only. Do not scale dimensions from the drawing as the resulting dimension may be incorrect. JODA Engineering Consultants accepts no responsibility for errors made as a result of scaling of any dimension from this drawing.

NOTES.

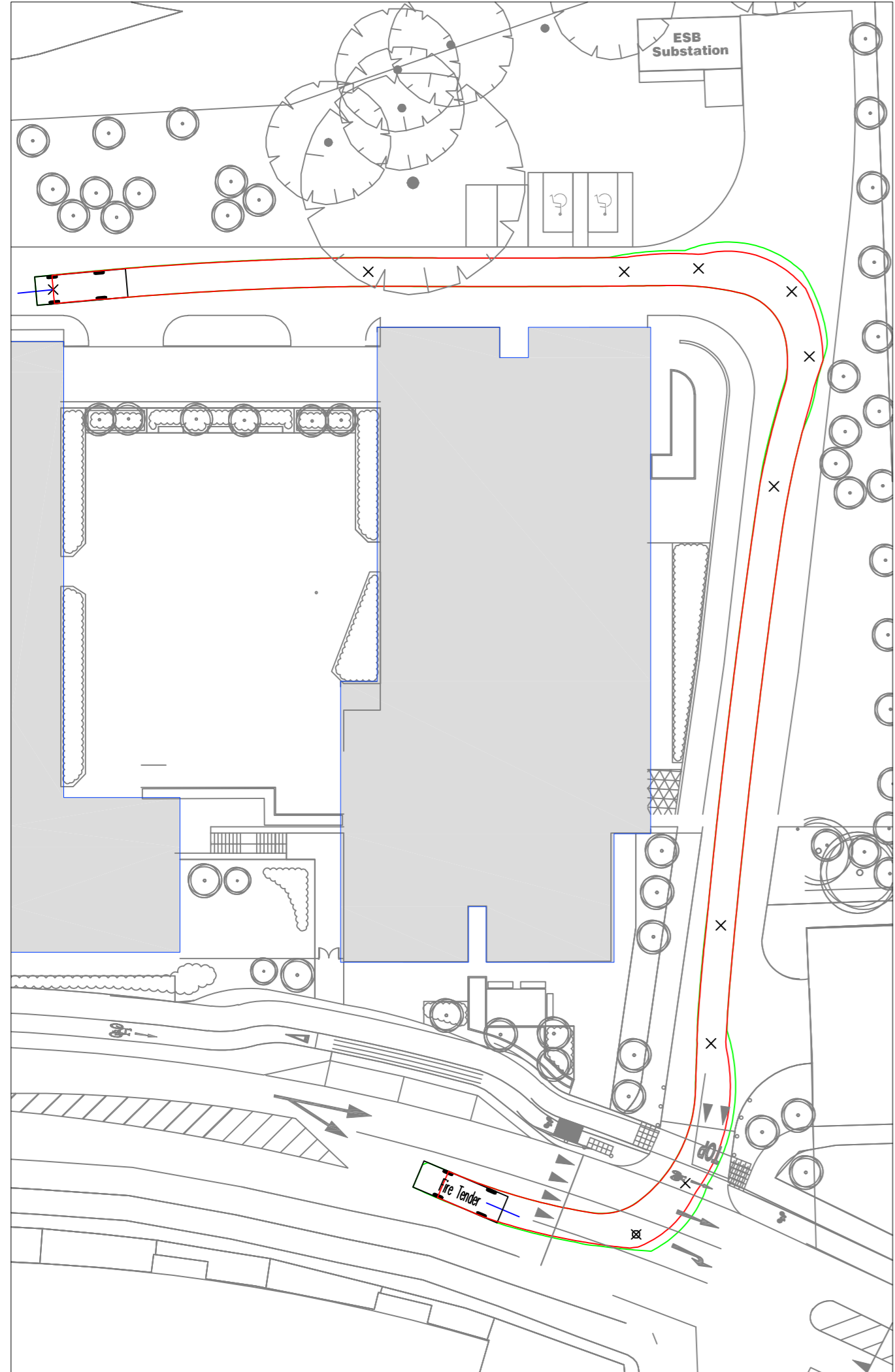
- DRAWING - NOTES**
1. This drawing shall be read in conjunction with all relevant drawings and specification.
 2. Do not scale, if in doubt ask.
 3. All drawings to be checked on site.
 4. All levels to Main Head Datum.



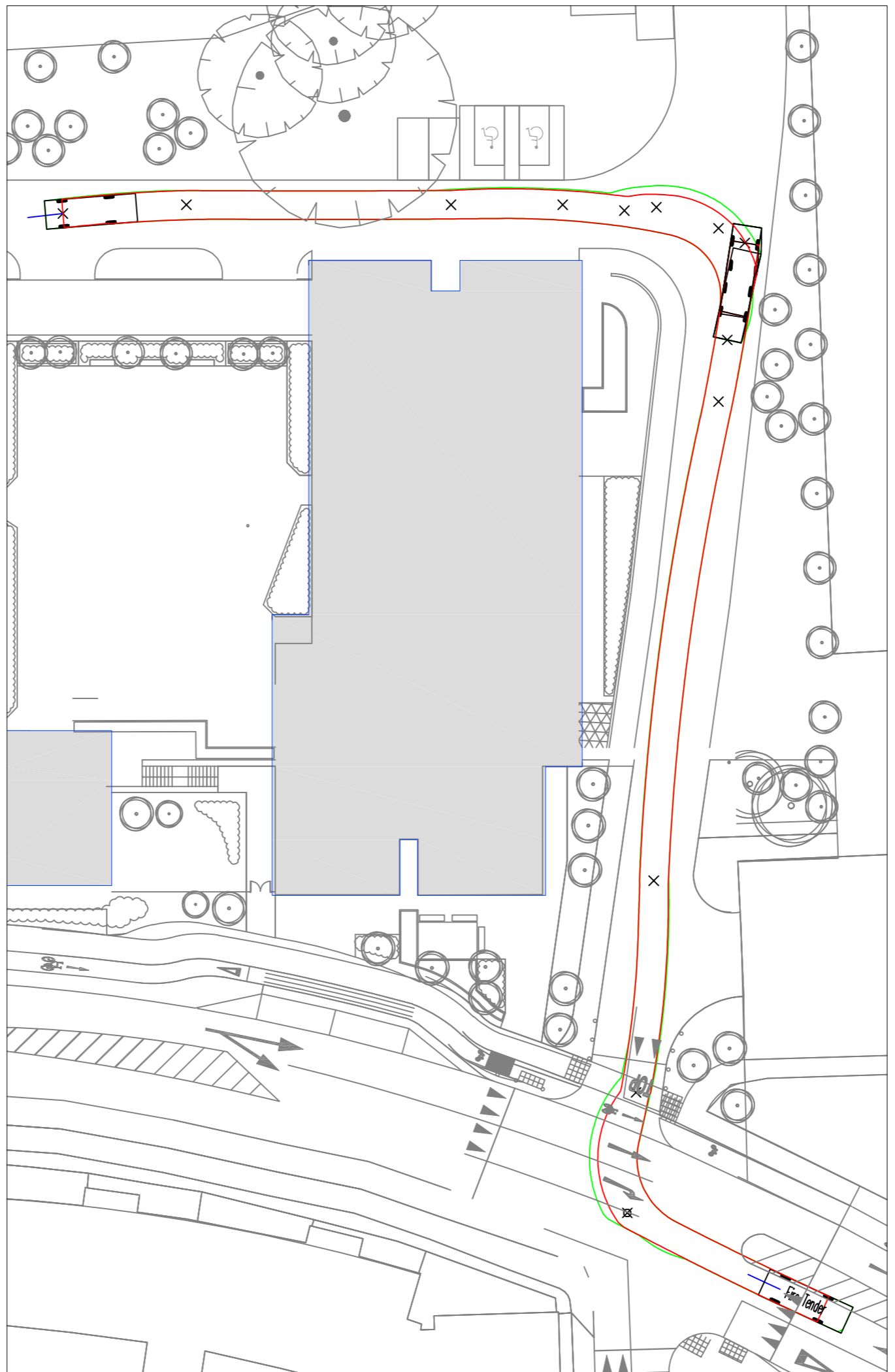
FIRE TENDER ENTERING AT LEFT ENTRANCE 1:200



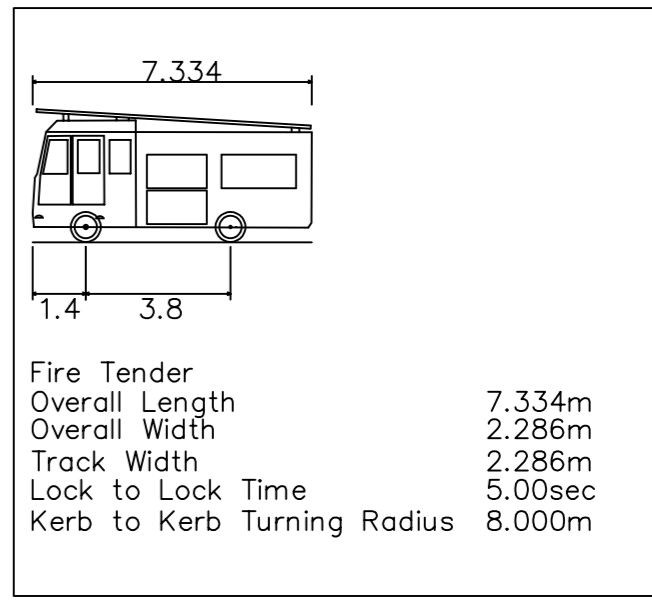
FIRE TENDER ENTERING AT LEFT ENTRANCE 1:200



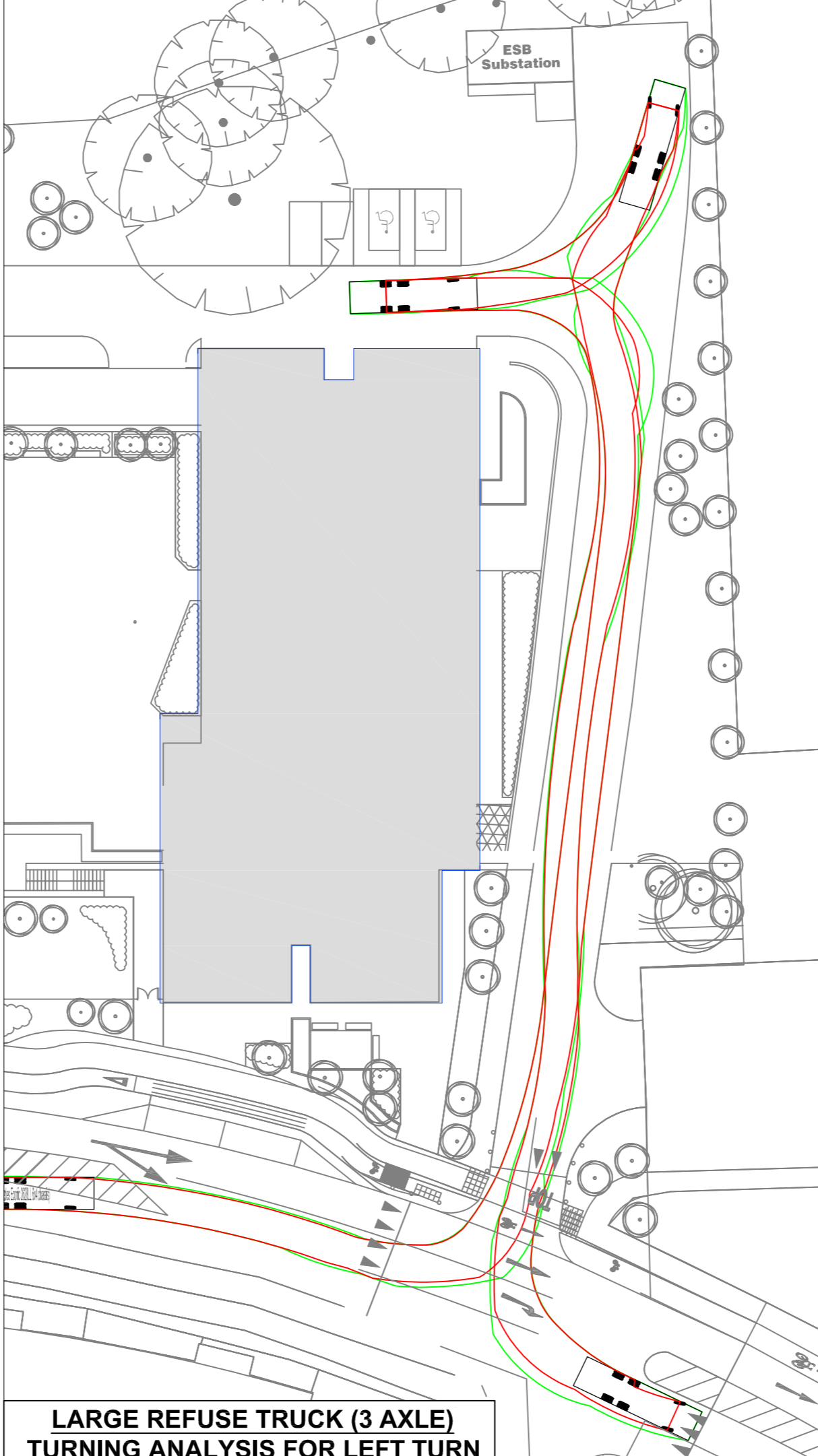
FIRE TENDER TURNING ANALYSIS FROM LEFT



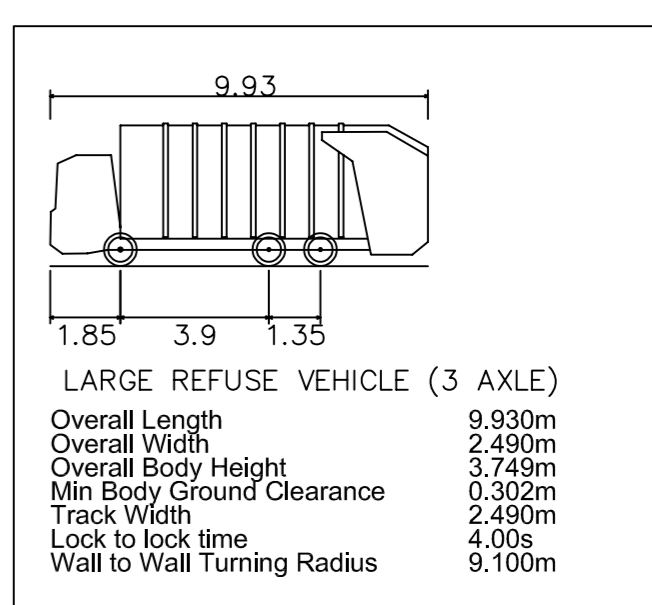
FIRE TENDER TURNING ANALYSIS FROM RIGHT




LARGE REFUSE TRUCK (3 AXLE) TURNING ANALYSIS FOR RIGHT TURN



LARGE REFUSE TRUCK (3 AXLE) TURNING ANALYSIS FOR LEFT TURN



A Issued for Planning		M.C	TON	20.04.22
Rev.	Revision Details	By	Chkd.	Date
 Civil Structural Mechanical Electrical Ballycurreen House, Ballycurreen, Cork T12 P44Y (021) 4544244 www.Joda.ie				
Client: O'Flynn Group				
Project: APARTMENT DEVELOPMENT AT OLD FORT ROAD BALLINCOLLIG, COUNTY CORK				
Dwg Title: AUTOTRACK ANALYSIS				
Scale Ref:	1:400	Status:	SHD Planning	
Dwg. No.:	3866-AD-P10			